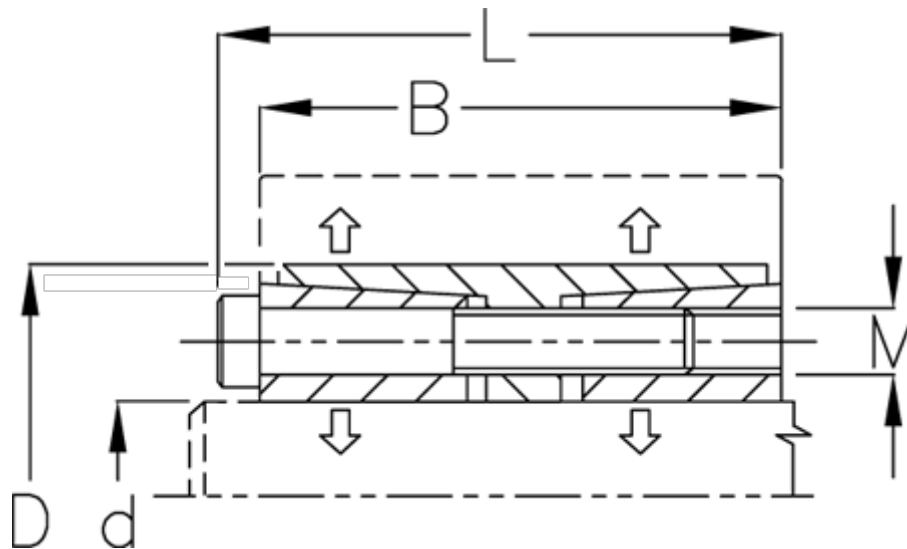


Article number: 4395000801

Description: Rota-fix shaft-hub connection F80x120
Stainless steel

Measures



| | |
|---|--------------------|
| B mm | = 80 |
| d H8 mm | = 80 |
| D mm | = 120 |
| Fit tolerance | = Aksel h8, Nav H8 |
| F kN torque | = 197.0 |
| L mm | = 90 |
| M mm | = M10 |
| P N/mm ² surface pressure on shaft/hub | = 37 |

| | |
|-------------------------------|----------------|
| Surface roughness | = R ? ? 3.2 µm |
| T N m torque | = 7880 |
| Ts N m bolt tightening torque | = 58.0 |